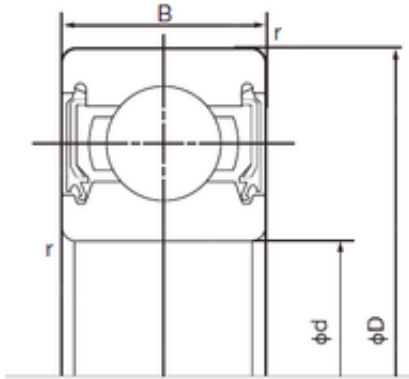




China 608zz Bearing Supplier

Japan Nachi good quality cheap deep groove ball bearing 6301-2NSE9 6301 2rs



Bearing No. 6301-2NSE9

6301-2NSE9 Bearing 2D drawings and 3D CAD models

Size	12x37x12 mm
Bore Diameter	12 mm
Outer Diameter	37 mm
Width	12 mm
d	12 mm
D	37 mm
B	12 mm
C	12 mm
r min.	1.0 mm
Basic dynamic load rating (C)	9,75 kN
Basic static load rating (C0)	4,25 kN
Bore Type	Cylindrical Bore
Enclosure	Double Seal
Configuration	Single Row
Weight	0.060 kg
Bore Size	12 mm
Outside Diameter	37 mm
Width	12 mm
Fillet Radius/Chamfer	1 mm
Dynamic Load Rating	9,750 N
Static Load Rating	4,250 N
Limiting Speed - Grease	16,000 rpm
Factor fo	11.2
Radial Clearance	0.003 to 0.018 mm
da (min)	18 mm



China 608zz Bearing Supplier

Da (max)	31 mm
ra (max)	1 mm