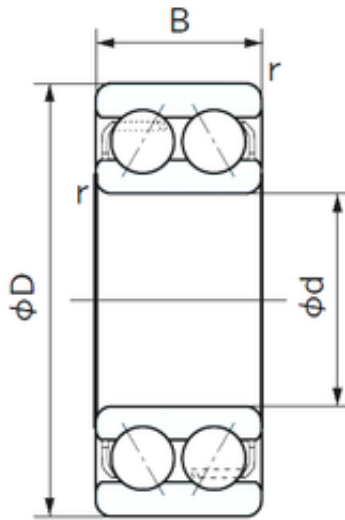




China 608zz Bearing Supplier



5305 2RS C3-SKF NTN NSK Timken NACHI
Koyo Z2V2 Z3V3 Double Row Ball Bearing OEM

Bearing No. 5305

5305 Bearing 2D drawings and 3D CAD models

Size	25x62x25.4 mm
Bore Diameter	25 mm
Outer Diameter	62 mm
Width	25.4 mm
d	25 mm
D	62 mm
B	25.4 mm
C	25.4 mm
Angle ()	30 °
r min.	1.1 mm
Weight	0.340 Kg
Basic dynamic load rating (C)	32 kN
Basic static load rating (C0)	21,6 kN
(Grease) Lubrication Speed	7300 r/min
Category	Angular Contact Ball Bearings
Inventory	0.0
Manufacturer Name	NACHI
Minimum Buy Quantity	N/A
Weight / Kilogram	0.341
EAN	4991893604221
Product Group	B00152
Enclosure	Open
Flush Ground	No
Rolling Element	Ball Bearing



China 608zz Bearing Supplier

Number of Rows of Balls	Double Row
Precision Class	ABEC 1 ISO P0
Maximum Capacity / Filling Slot	No
Snap Ring	No
Cage Material	Steel
Contact Angle	20 Degree
Internal Clearance	C0-Medium
Number of Bearings	1 (Single)
Inch - Metric	Metric
Long Description	25MM Bore; 62MM Outside Diameter; 25.4MM Width; Open; No Flush Ground; Ball Bearing; Double Row of Balls; ABEC 1 ISO P0; No Filling Slot; No Snap Ring
Category	Angular Contact Ball Bearing
UNSPSC	31171531
Harmonized Tariff Code	8482.10.50.28
Noun	Bearing
Keyword String	Angular Contact
Manufacturer URL	http://www.nachi.com
Manufacturer Item Number	5305 BNLS
Weight / LBS	0.75
Outside Diameter	2.441 Inch 62 Millimeter
Width	1 Inch 25.4 Millimeter
Bore	0.984 Inch 25 Millimeter
Configuration	Double Row
Bore Type	Cylindrical Bore
Bore Size	25 mm
Fillet Radius/Chamfer	1.1 mm
Dynamic Load Rating	32,000 N
Static Load Rating	21,600 N



China 608zz Bearing Supplier

Limiting Speed - Grease	7,300 rpm
Limiting Speed - Oil	10,000 rpm
Radial Clearance	0.005 to 0.020 mm
da	32 mm55 mm
Dx	68.5 mm
ra	1 mm
Cy	4.7 mm